

- Product Description

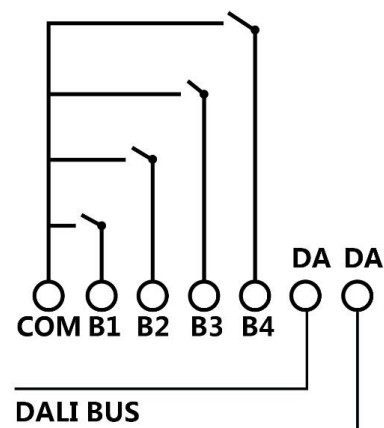
- 4-button panel interface uses in conjunction with 4 push-back buttons panel to DALI bus.
- Function of each button can be individually configured by software. Control target can be independent address, group address and broadcast. Control function includes instant brightness level, maximum brightness, minimum brightness, turn off, scene recall, brightness step up or step down, etc.



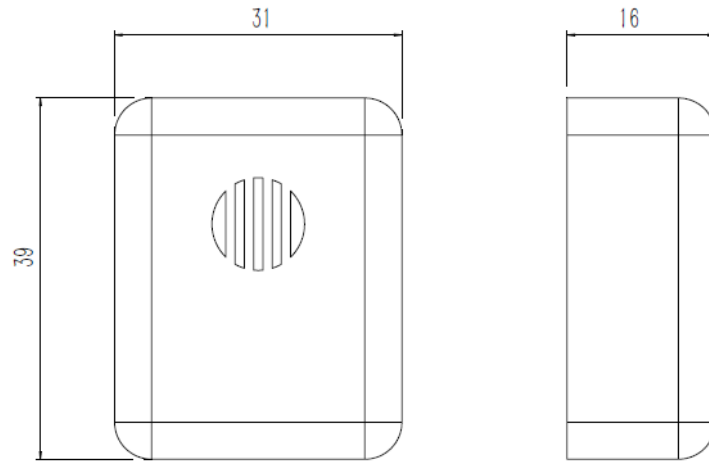
- Technical Parameters

Power input	DALI BUS	Standard EN 55015 EN 61347-1 EN 61347-2-11 EN 61547 IEC60929 (DALI V0) IEC62386 (DALI V1)
Input Current	6mA	
Number of buttons	4	
Interface	DALI	
Key Function	Independently configured by software	
Operating Temperature	-10°C ~ +50°C	
Storage Temperature	-20°C ~ +60°C	
Degree of protection	IP20	

- Wiring Instruction



- Size



- Installation and Connection Example

