

**- Product Description**

- Acting as USB gateway to a DALI system.
- Work with DALIpro configuration software, DALI gears or devices can be easily addressed and programmed.



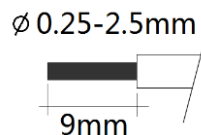
**- Technical Parameters**

Power Supply	By USB/5V external power supply	Standard IEC 62386-101(DALI) IEC 62386-102(DALI) EN 60598-1(Glow-wire test) IEC 60929(DALI V0) IEC 62386(DALI V1)
Input Current	6mA	
Output Current	18mA	
Output	DALI	
Operating Temperature	-10°C ~ +50°C	

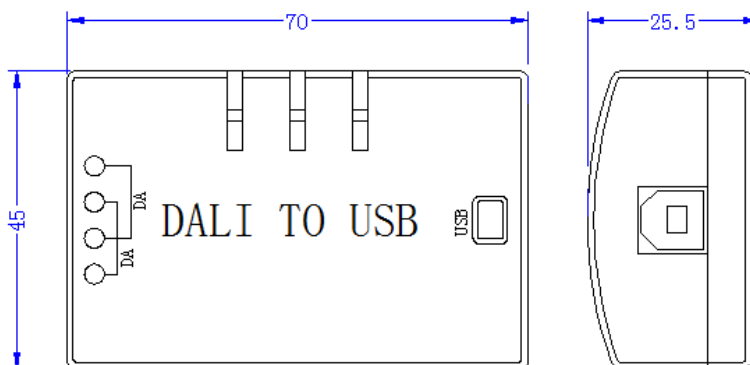
**- Wiring Instruction**



**Wiring Preparation**



**- Size**



- Installation and Connection Example

