

- Product Description

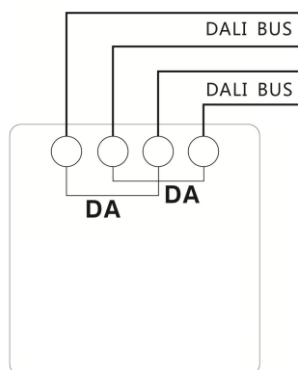
- 6-button lighting control panel with DALI interface.
- Function of each button can be individually configured by software. Control target can be independent address, group address and broadcast. Control function includes instant brightness level, maximum brightness, minimum brightness, turn off, scene recall, brightness step up or step down, etc.



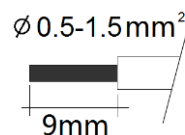
- Technical Parameters

Power input	DALI BUS	Standard EN 55015 EN 61347-1 EN 61347-2-11 EN 61547 IEC60929 (DALI V0) IEC62386 (DALI V1)
Input Current	7mA	
Number of keys	6	
Interface	DALI	
Key Function	Independently configured by software	
Operating Temperature	-10°C ~ +50°C	
Storage Temperature	-20°C ~ +60°C	
Degree of protection	IP20	

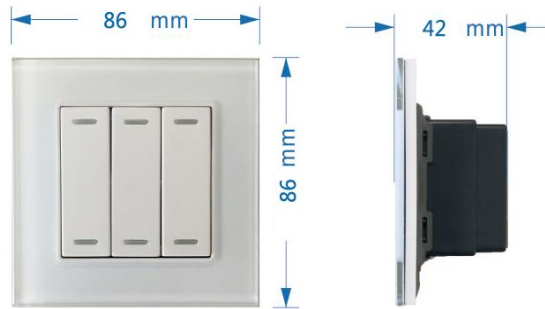
- Wiring Instruction



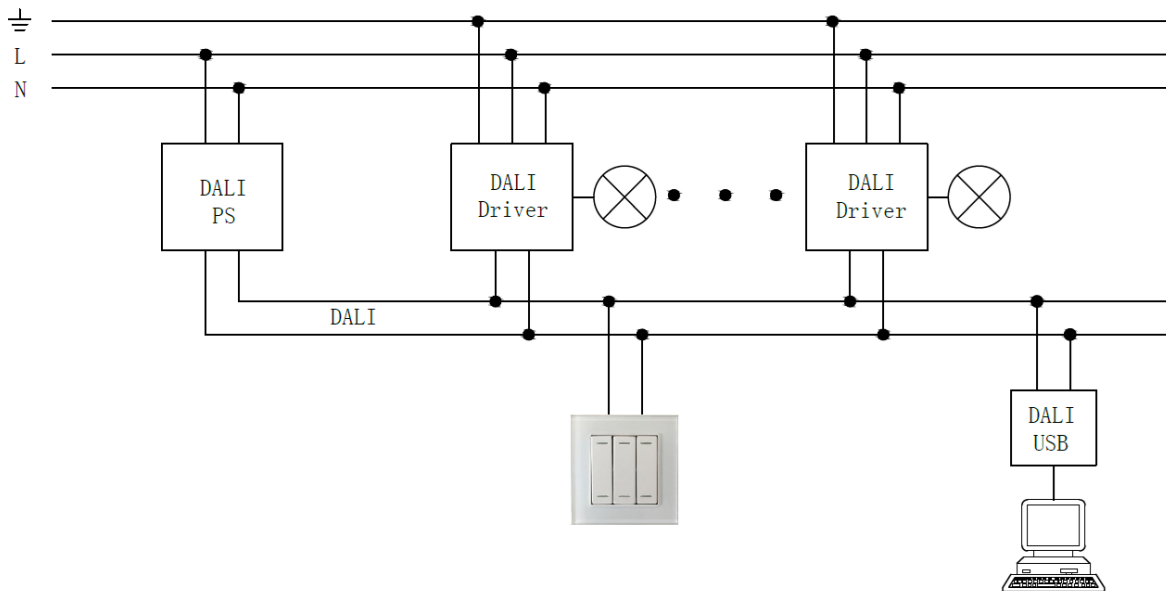
Wiring Preparation



- Size



- Installation and Connection Example



- Installation Guide

