

- Product description

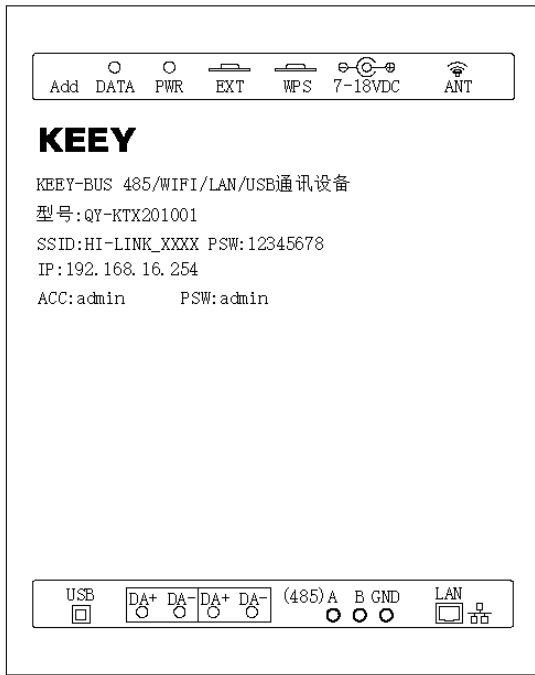
- Achieve communication connection between WiFi / wired network / USB / Modbus485 and DALI system.
- Configurable as TCP network server or client mode.
- Cooperate with the use of DALI system configuration software to realize the testing, addressing and configuration of DALI system equipment.
- Provide MODBUS 485 communication interface to easily connect with other smart home equipment.



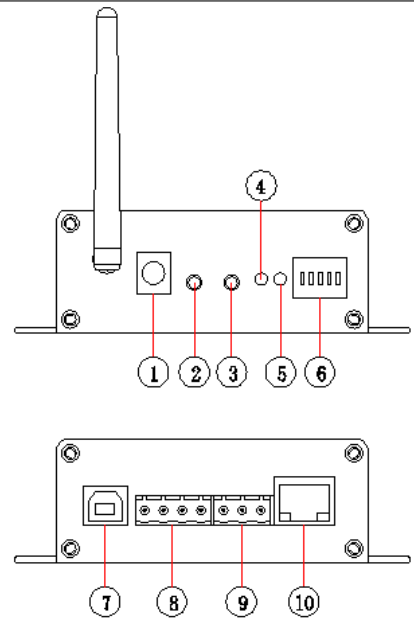
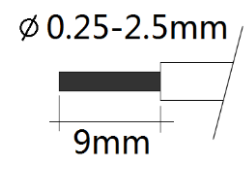
- Technical Parameters

Input voltage range	6.5 ~ 18.5VDC	
Power	<2W ( Max )	
Standard	IEC 62386-101(DALI)	
	IEC 62386-102(DALI)	
WIFI Technical Specifications		
Network Standard	Wireless Standard	IEEE 802.11n、 IEEE 802.11g、 IEEE 802.11b
	Wired Standard	IEEE 802.3、 IEEE 802.3u
Wireless transmission rate	11n:Up to 150Mbps 11g:Up to 54Mbps 11b:Up to 11Mbps	
The number of channels	1-14	
Wireless Frequency Range	2.4-2.4835G	
Transmit Power	12-15DBM	
Interface	1XEthernet port、 1X DALIDALI Interface、 1 X USB Interface ( host/slave ), 1XWIFI antenna、 1XRS485( Modbus ), 1XDCC Power connector	
WDS Function	Supports WDS wireless bridge	
Wireless Security	Wireless MAC address filtering, wireless security function switch, 64/128/152 bit WEP encryption, WPA-PSK / WPA2-PSK, WPA / WPA2 security mechanism	
Ambient temperature	-10°C ~ 50°C	
Storage Temperature	-20°C ~ 60°C	
Humidity	5% ~ 85%	
Protection class	IP20	

- Wiring Instruction and Indicator description



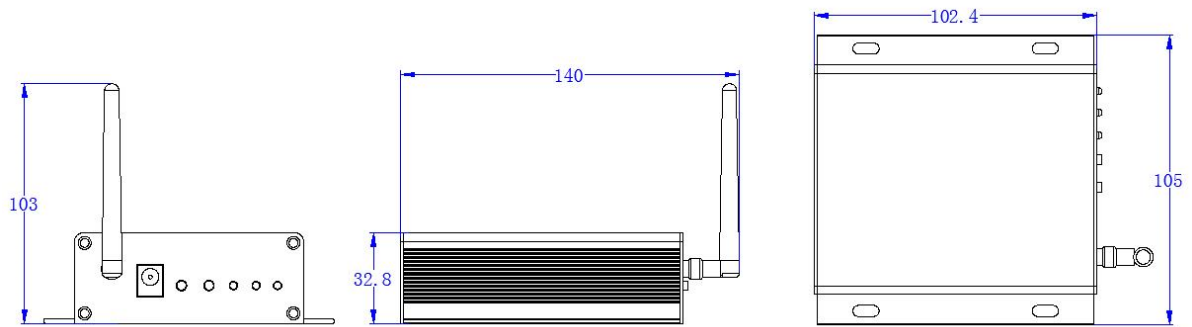
Wiring preparation



- ① powered by DC12V
- ② WPS (Reset)
- ③ EXT (Spare)
- ④ PWR (Power Indicator)
- ⑤ DATA (Communication indicator)
- ⑥ ADD (485 address code)
- ⑦ USB (USB interface)
- ⑧ DALI (DALI interface)
- ⑨ 485 (485 interface)
- ⑩ LAN (Network port)

Interface and indicator name	Function Description
PWR	Always on under normal power.
DATA	The gateway will blink when receiving and sending data.
WPS	Long press for 6 seconds and release the button to reset the device.
EXT	Spare
ADD	For 485 communication, the corresponding 0-31 of DIP switch is 1-32 of 485 Modbus address.

- Size



- Installation and Connection Example

