



- Product Description

- 2 independent relay output controlled by DALI.
- The maximum current load of each contact is 10A@230VAC.
- Have a variety of application features, such as DALI control of ceiling fans, exhaust fans, chandeliers, ceiling lamps, and multi-tube lights. Two working modes are available, occupying one or two DALI addresses.
- It has the input interface of the manual control button panel, which can directly control the opening and closing action of the relay.

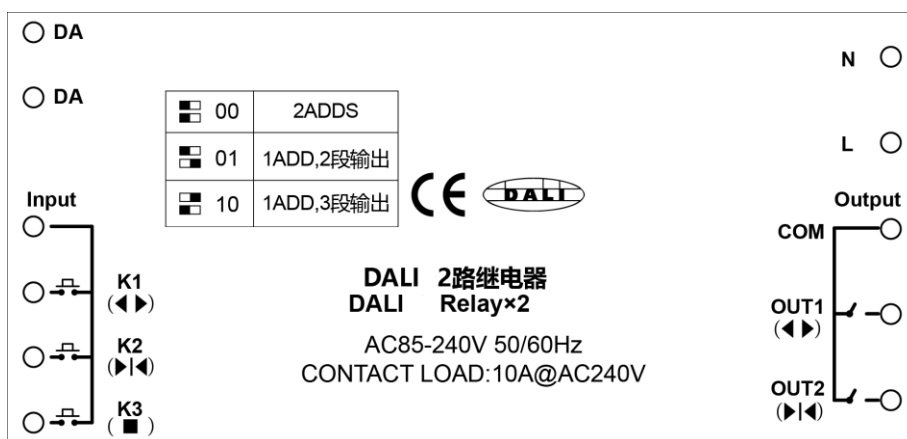


- Technical parameters

Input voltage range	100~240VAC
Input Frequency	50/60Hz
Power	<2W (Max)
Output relay contacts rated current	10A
Ambient temperature	-10°C ~ 50°C
Storage Temperature	-20°C ~ 60°C
Humidity	5%~85%
Protection class	IP20

Standard
IEC 62386-101(DALI)
IEC 62386-102(DALI)

- Function Selection



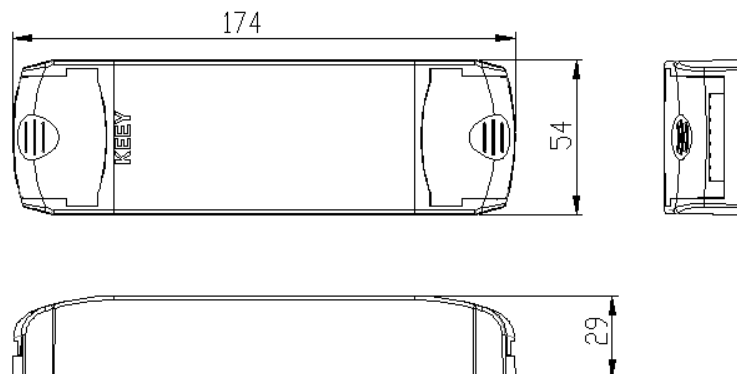


Mode	DIP switch setting	Occupied address	Control mode	Functional description		
				Output power level (%)	OUT1	OUT2
Relay	00	2 ADDS	Output independent control (2 stages of classification)	0-228 (0%-49%)	OFF	OFF
				229-254 (50%-100%)	ON	ON
	01	1ADD	Output unified control (2 stages of classification)	0-228 (0%-49%)	OFF	OFF
				229-254 (50%-100%)	ON	ON
	10	1 ADD	Output unified control (3 stages of classification)	0-210(0%-30%)	OFF	OFF
				211-235(31%-60%)	OFF	ON
235-254 (61%-100%)				ON	ON	

- External button operation instruction

Mode	Key	operation	Functional description
Relay	K1	Press once	The switch state of the contact OUT1 is flipped once
	K2	Press once	The switch state of the contact OUT2 is flipped once
	K3	Press once	OUT2 is flipped synchronously with the switch state of the contact OUT1

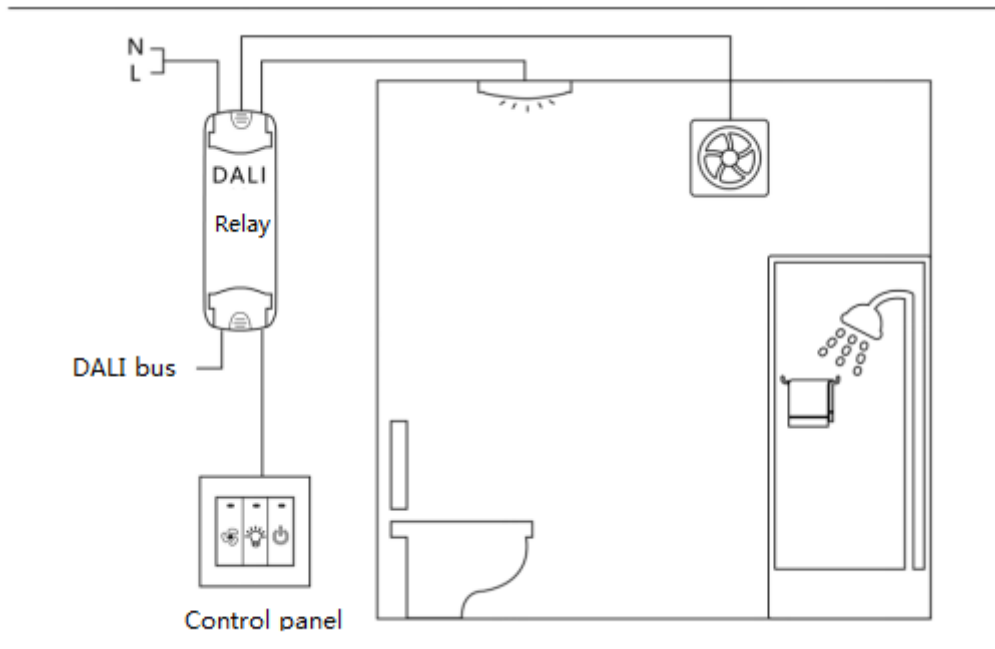
- Size





- Installation and Connection Example

1. <Mode 1: (2ADDs) Output Independent Control > Case - Bathroom Lighting and Exhaust Control



2. <Mode 2: (1ADD) Output Segmentation Control > Case -Lighting Energy saving control is in public corridors.

