



- Product Description

- 4-button lighting controller with DALI interface, must be used with a universal touch-sensitive 4-key panel.
- Function of each button can be individually configured by software. Control target can be independent address, group address and broadcast. Control function includes instant brightness level, maximum brightness, minimum brightness, turn off, scene recall, brightness step up or step down, etc.

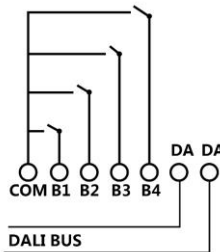


- Technical parameters

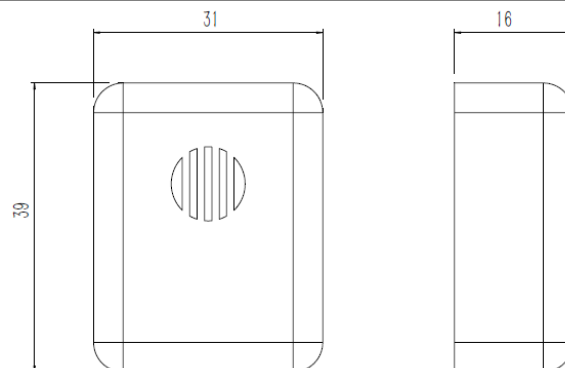
Power input	DALI BUS
Input Current	6mA
Number of buttons	4
Interface	DALI
Key Function	Independently configured by software
Operating Temperature	-10°C ~ +50°C
Storage Temperature	-20°C ~ +60°C
Degree of protection	IP20

Standard
EN 55015
EN 61347-1
EN 61347-2-11
EN 61547
IEC60929 (DALI V0)
IEC62386 (DALI V1)

- Wiring Instruction



- Size



- Installation and Connection Example

