

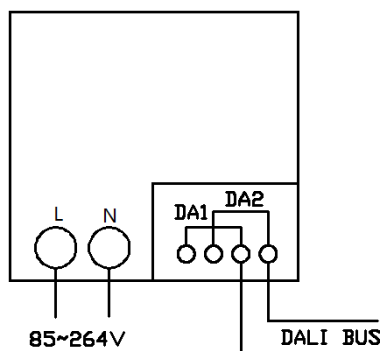
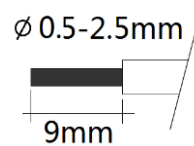
**- Product Description**

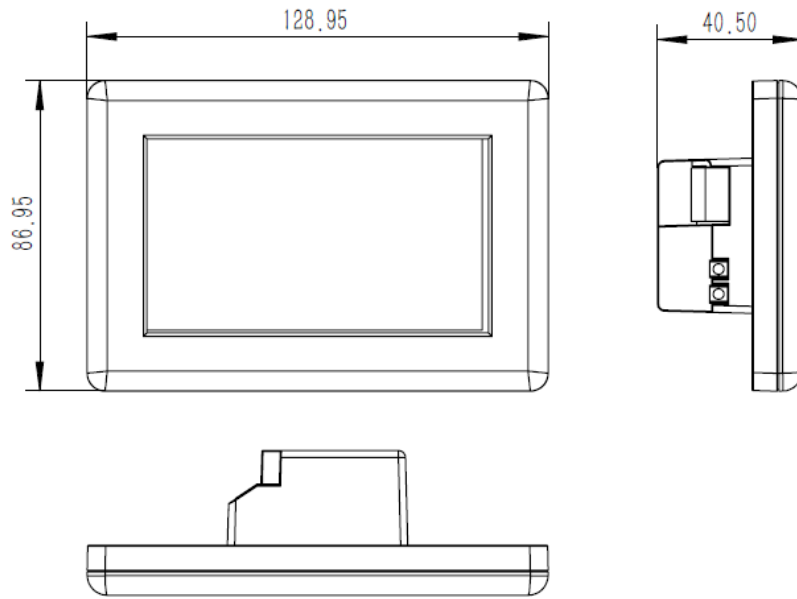
- 4.3 inch LCD touch screen with multifunction controller.
- 480x272 resolution with customizable user interface.
- With time calendar display, can be set as a timer, can be configured as time trigger control.
- The button function and operation interface can be defined by user through software.
- The function of each button can be configured through the touch screen. The button functions include: scene recall, brightness control, color temperature control and on/off control.
- Interface editing and customization by USB.

**- Technical parameters**

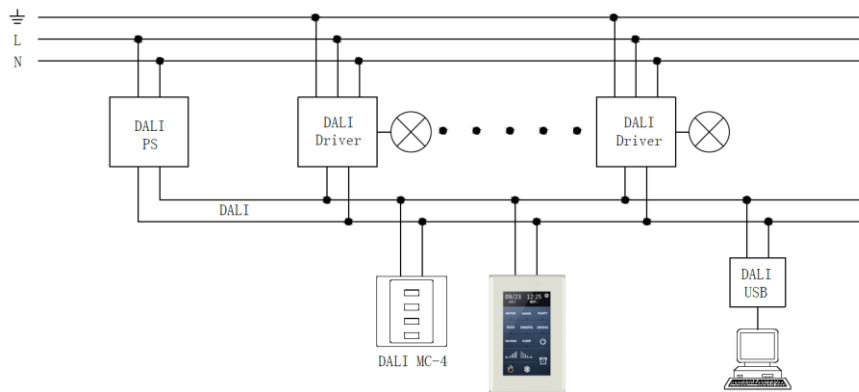
Power input	85~264V
Interface	DALI
Key Function	Configured by LCD touch screen
Screen size	4.3 inch
Resolution	480x272
Operating Temperature	-10°C ~ +50°C
Storage Temperature	-20°C ~ +60°C
Degree of protection	IP20

Standard
EN 55015
EN 61347-1
EN 61347-2-11
EN 61547
IEC60929 (DALI V0)
IEC62386 (DALI V1)

- Wiring Instruction**Wiring Preparation****- Size**



- Installation and Connection Example



- Installation Guide

