



- Product description

- Provide 16V and 0-250mA for the DALI bus.
- With overload and short circuit protection.
- With a Relay-output function, it doesn't occupy any address. The Relay-output is cut off after 30s delay when detecting a broadcast "All-OFF" command on DALI bus. When receiving other command (non "All-OFF"), and If the Relay-output is on "OFF" status, it will turn the Relay-output on right away and re-send this command after 1s delay, otherwise, it doesn't make any response.
- With manual Relay-output On/Off control.

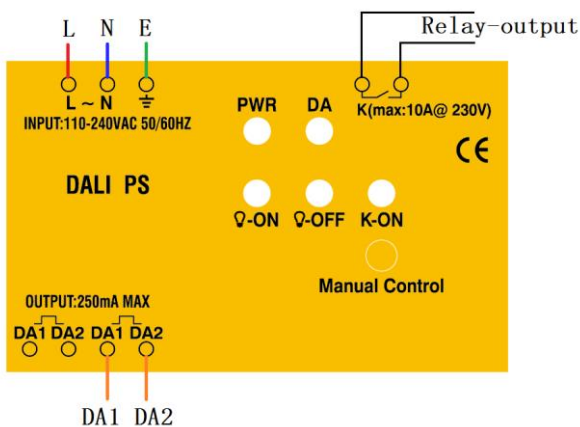


- Technical parameters

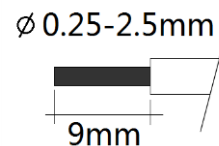
Input voltage range	110~240VAC
Input Frequency	50/60Hz
Power	8W (Max)
Output Current	<250mA
Output voltage	16V±5%
Contact rated current	10A@230VAC
Protection	short circuit protection, automatic recovery
Operating Temperature	-10°C ~ +50°C
Storage Temperature	-20°C ~ +60°C
Degree of protection	IP20

Standards
EN 55015
EN 61547
EN 61000-3-2
EN 61000-3-3
EN 61347-2-11
EN 62386-101

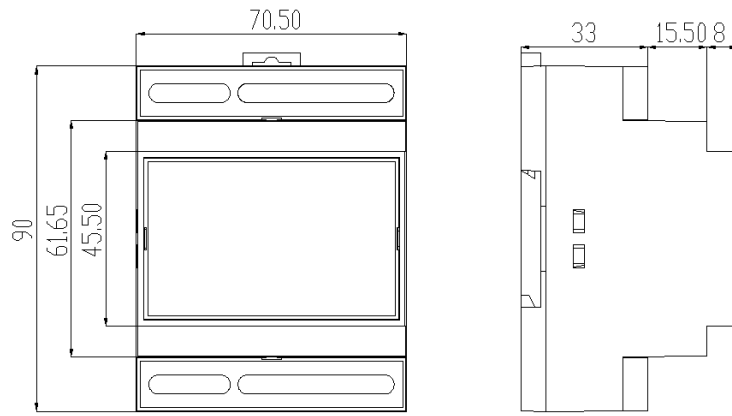
- Wiring Instruction



Wiring Preparation



- Size



- Installation and Connection Example

