



- Product Description

- 3 independent relay output controlled by DALI.
- The maximum current load of each contact is 10A@230VAC.
- Occupy 1 or 3 Address
- With manual control for each relay output.

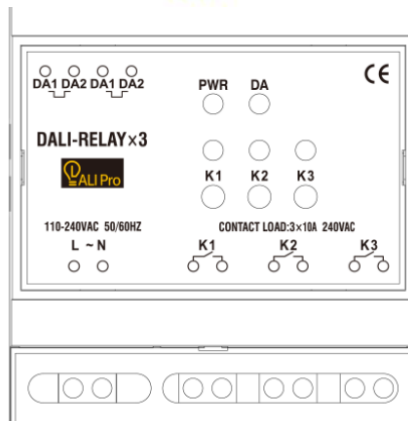
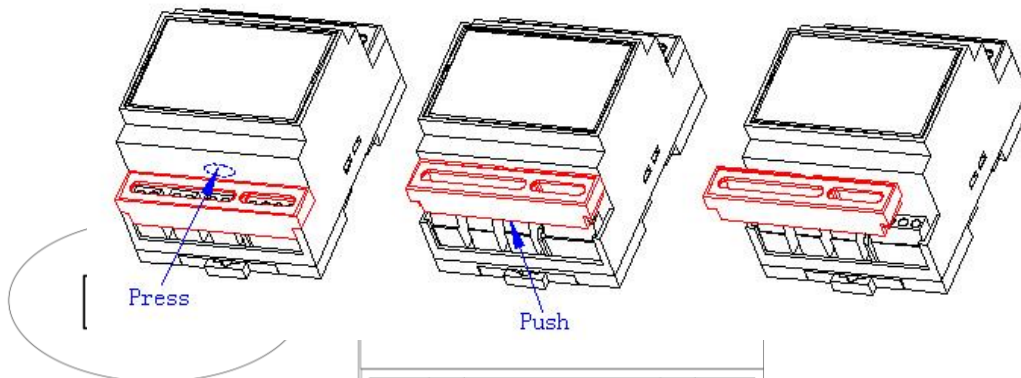


- Technical parameters



Input voltage range	90~240VAC
Input Frequency	50/60Hz
Power	<2W (Max)
Output relay contacts rated current	10A
Ambient temperature	-10°C~50°C
Storage Temperature	-20°C~60°C
Humidity	5%~85%
Protection class	IP20

Standard
IEC 62386-101(DALI)
IEC 62386-102(DALI)

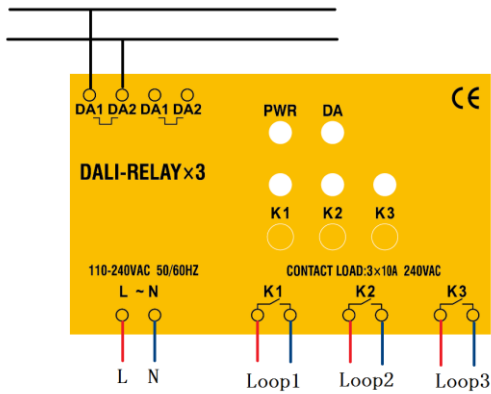
- Function Selection



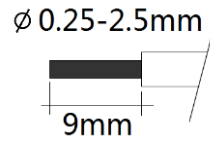


Function Selection	Occupancy address	Function Description			
	1 ADD	ARC Pwr Lever	K1	K2	K3
		0-63	OFF	OFF	OFF
		64-127	ON	OFF	OFF
		128-192	ON	ON	OFF
	3 ADDS	ARC Pwr Lever	K1	K2	K3
		0-127	OFF	OFF	OFF
		128-254	ON	ON	ON

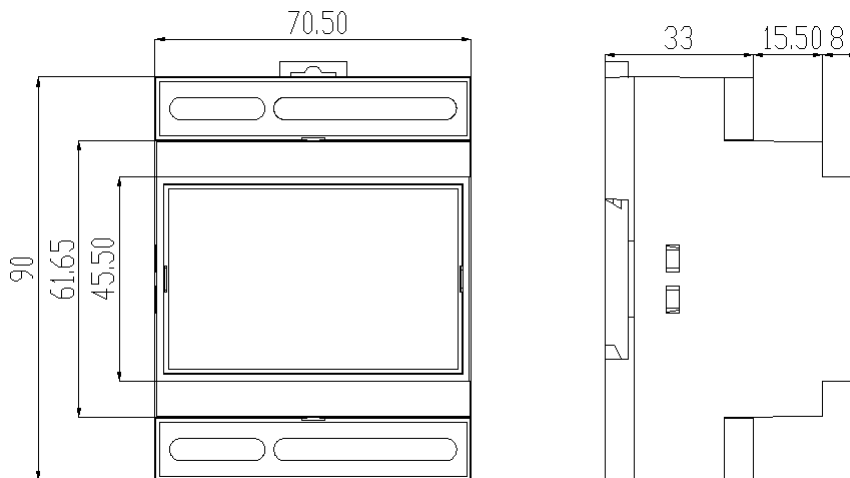
- Wiring Instruction



Wiring Preparation



- Size



- Installation and Connection Example

